

**HIOKI**

CLAMP ON CURRENT METER

**3103 CLAMP ON Hi TESTER**

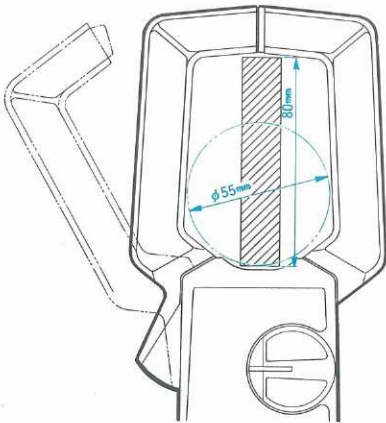
**3103**

**AC Current Measurements to 1500 Amps**



## Clamps Over Busbars and Large Power Lines

Clamp jaws accommodate conductors up to 55mm in diameter; busbars 80mm wide.

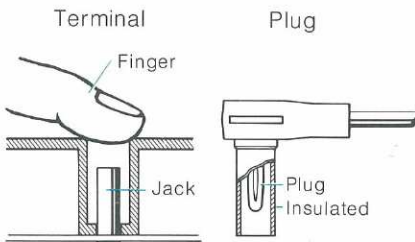


## High Current Measurement Capability

Measurement range (15 to 1500A) is not only extremely wide, but also extends to current values previously unobtainable with clamp-on meters.

## Operator Safety Features

Test lead plugs are insulated, providing maximum protection against accidental shock or short-circuits should a lead come unplugged during a measurement.

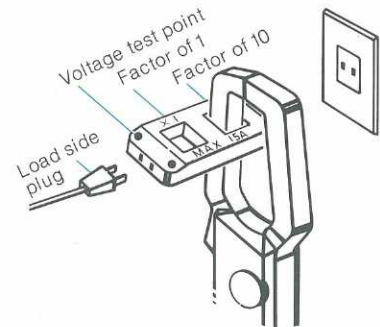


## Tested for Durability

Passing the 1 meter drop-test onto concrete proves that the 3103's rugged meter and mechanical construction will take the rough treatment expected in service applications.

## Practical Flexibility

Using the CT-101A Line Splitter (Accessory) increases meter sensitivity by a factor of 10; and permits readings directly from appliance line cords. (15A max.)



## Overload Protected Resistance Meter Circuit

Accidental voltage input up to 250VAC is blocked by a non-arcing glass-tube fuse. This important safety feature greatly reduces any chance of damaging the meter, or short-circuiting other devices.

## Meter-Lock

For measurements in hard-to-reach places, simply slide the meter-lock over and take the reading at your convenience.

## Convenient Carrying Case

The case is designed for wearing on the belt. Of course, it also protects the meter against bumps and possible damage.



## Specifications

### Measurement Functions

**AC Current:** 15·60·150·600·1500A (50/60Hz), ±3% of f.s.

**AC Voltage:** 150·300·600V, ±3% of f.s.

**Resistance:** 1 kΩ (mid-scale value: 30Ω) ±3% of scale length

### Measurement Time

**AC Current:** <1000A, continuous; 1500A, 2 min. max.

**Dielectric strength:** 2200V AC

**Max. input voltage:** 600V AC

**Jaw Opening:** Accommodates conductors up to 55mm, busbars up to 80mm wide.

**Battery:** One size AA (SUM-3)

**Dimensions:** 237H×99W×34D (mm)

**Weight:** 570g (approx.)

**Accessories:** Carrying case

9067 Test Leads 1 set

1 Spare Fuse (0.5A non-arcing)

**Optional Accessory:** CT-101A line splitter

Standard Packing (Double carton box)	Sets	N.W.	G.W.	M <sup>3</sup>
	25	22kg	25kg	0.13

## HIOKI E.E. CORPORATION

DISTRIBUTED BY

**HEAD OFFICE:** P.O. Box 1, Sakaki, Nagano, 389-06 Japan.

Tlx: 3327508 HIOKI J / Cable: HEWLOV, Ueda

Telephone: (02688) 2-3030

**TOKYO OFFICE:** 2-23-24 Shiba Nakata, Kawaguchi, Saitama 333.

Telephone: (0482) 61-2401

**HIOKI-RCC, INC.:** P.O. Box 275 Douglaston, N.Y. 11363, U.S.A.

Telephone: (212) 224-2404